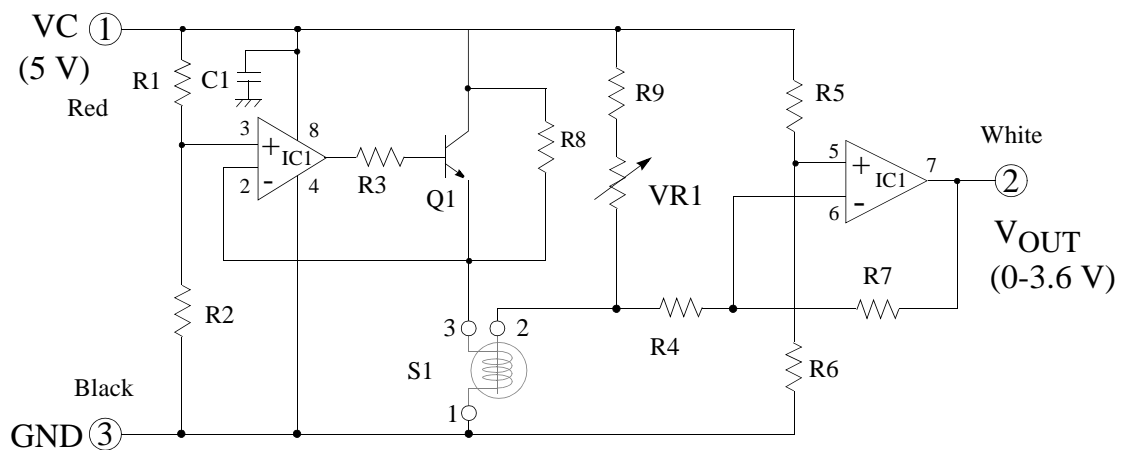
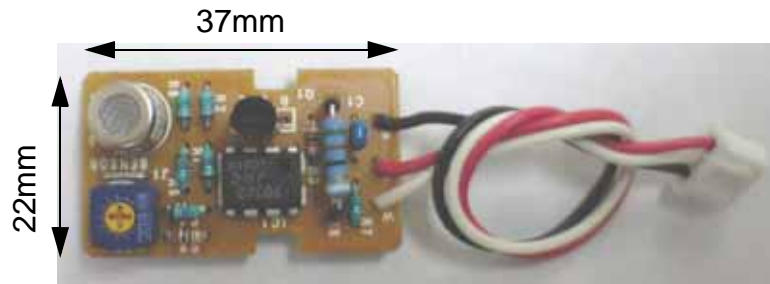


Evaluation module

EVM-SB-01

June 9, 2008

- * Power supply: 5V DC
- * Output: 0 to 3.5V DC
- * 3 wired connector attached (10cm)



Parts No.	Parts	Specification	N
R1	Metal film resistor	8.2 k Ω , 1/8-1/4 W \pm 1%	1
R2	Metal film resistor	1.8 k Ω , 1/8-1/4 W \pm 1%	1
R3	Carbon resistor	1 k Ω , 1/8-1/4 W \pm 5%	1
R4 - R7	Carbon resistor	100 k Ω , 1/8-1/4 W \pm 2%	4
R8	Metal film resistor	160 Ω , 1W \pm 5%	1
R9	Carbon resistor	100 Ω , 1/8-1/4 W \pm 5%	1
C1	Ceramic capacitor	0.1 μ F, 16V	1
Q1	Transistor	TOSHIBA 2SC3671	1
IC1	OP Amplifier	NEC μ PC358C	1
VR1	Variable resistor	2k or 10k Ω	1
CN1	Connector		1
S1	Gas sensor	FiS SB series (VH: constant 0.9V)	1